



**PX91 Series
0-5 Vdc Output**

**0-5,000 to 0-200,000 psi
0-350 to 0-14,000 bar**

1 bar = 14.5 psi
1 kg/cm² = 14.22 psi
1 Atmosphere = 14.7 psi = 29.93 in-Hg = 760.2 mm-Hg = 1.014 bar

- ☑ Ranges up to 200,000 psi
- ☑ FM and CSA Approved Intrinsically Safe
- ☑ High Operating Temperature 121°C (250°F)
- ☑ Hermetically Sealed for Harsh Environments

The OMEGADYNE™ PX91 amplified output series is a rugged, high temperature/ ultra high pressure transducer. They are hermetically sealed, have all stainless steel construction and are designed for the harshest environments encountered in very high pressure/ high temperature test chambers. The PX91 is available in sealed gage pressures from 5,000 to 200,000 psi. The electrical connection is either a sealed Bendix connector or Lightning protected explosion proof amplifier housing. Pressure connection is via a high pressure ferrule connection. FM/CSA approved Intrinsically Safe is standard.

**For Sales and Service
In U.S.A. and Canada**

**1-800-872-3963SM
1-800-USA-DYNE**

**International Customers Dial
(614) 965-9340
24-Hour FAX (614) 965-9438**

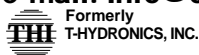
OMEGADYNESM FAX

OMEGADYNE's 24-Hour
On-Line Publishing Service

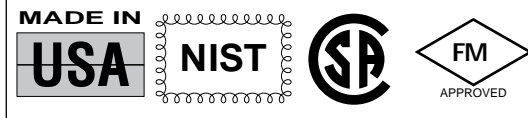
**1-800-344-3963SM
1-800-DIG-DYNE**

Document # 3711

OMEGADYNE, Inc.
149 Stelzer Court, Sunbury, OH 43074
<http://www.omegadyne.com>
e-mail: info@omegadyne.com



© COPYRIGHT 1996 OMEGADYNE, INC. ALL RIGHTS RESERVED.



**SPEC SHEET
PX91-5V-HEAD**

*Interchangeable with
Model TH-HPT-V*

**ULTRA HIGH PRESSURE
TRANSDUCERS**
Lightning Protected Head Style



\$860

Model PX91N5-50KS5T

Shown Smaller Than Actual Size

► **Most Popular Models Highlighted** ◀ Prices Shown in U.S. Dollars

To Order: (Specify Model Number)			
Range (psi)	Model Number	Price	Compatible Meters
Protected Head Style, Sealed Gage Pressure, 0-5Vdc Output			
0-5,000	PX91N5-5KS5T	\$860	INFP, INFCP
0-10,000	PX91N5-10KS5T	860	INFP, INFCP
0-15,000	PX91N5-15KS5T	860	INFP, INFCP*
0-20,000	PX91N5-20KS5T	860	INFP, INFCP*
0-30,000	PX91N5-30KS5T	860	INFP, INFCP*
0-35,000	PX91N5-35KS5T	860	INFP, INFCP*
0-50,000	PX91N5-50KS5T	860	INFP, INFCP*
0-60,000	PX91N5-60KS5T	860	INFP, INFCP*
0-80,000	PX91P5-80KS5T	1580	INFP, INFCP*
0-100,000	PX91P5-100KS5T	1580	INFP, INFCP*
0-120,000	PX91P5-120KS5T	1580	INFP, INFCP*
0-150,000	PX91P5-150KS5T	1800	INFP, INFCP*
0-200,000	PX91P5-200KS5T	1900	INFP, INFCP*

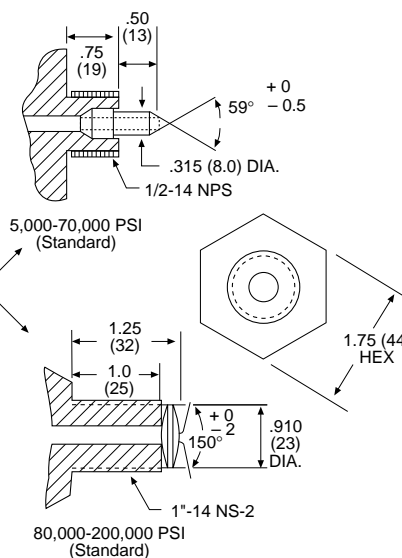
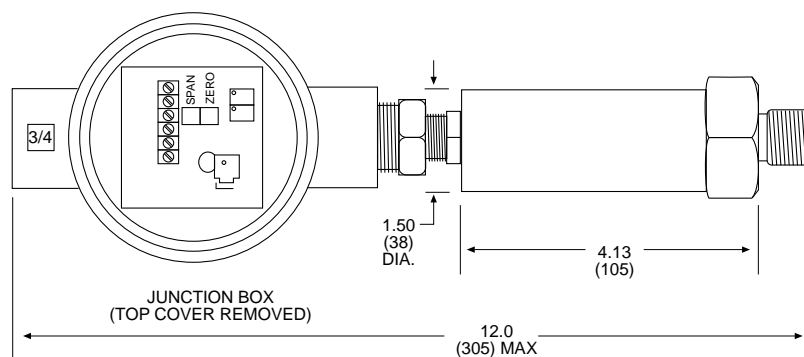
* 4 Digit meter counts in increments of 10
Interchangeable with Model TH-HPT-V Metric Ranges Available - Consult Engineering
Ordering Examples: 1.) **PX91N5-60KS5T** is a 60,000 psi Sealed Gage Pressure model with 1/2-14 NPS connection, 0-5 Vdc output and lightning protected amplifier housing, **\$860**.
2.) **PX91P5-80KS5T** is an 80,000 psi Sealed Gage Pressure model with 1-14 NS fitting, 0-5 Vdc output and lightning protected amplifier housing, **\$1580**.

Printed On Recycled Paper



Dimensions Shown in Inches (mm)

N Style Pressure Port



P Style Pressure Port

SPECIFICATIONS: 5Vdc Output

Electrical:

Excitation: 24-32 Vdc

Output: 0-5 Vdc $\pm 10\%$ adj.

Zero Balance: 0V $\pm 10\%$ FSO adj

Agency Approvals: FM/CSA
Intrinsically Safe IS/I.II.III/1/CDEFG
Standard

Performance:

Accuracy Class: 0.5%

Linearity: <75K psi: $\pm 0.35\%$ FSO
 ≥ 75 K psi: $\pm 0.50\%$ FSO

Hysteresis: $\pm 0.10\%$ FSO

Repeatability: $\pm 0.10\%$ FSO

Environmental:

Operational Temp Range:
-46 to +121°C (-50 to +250°F)

Compensated Temp Range:
+17 to +71°C (+60 to +160°F)

Thermal Effects:
Span: 0.005% Rdg/°F
Zero: 0.05% FSO/°F

Pressure:

Proof Pressure:

5K to 50K psi: 120% of rated pressure
60K to 200K psi: 110% of rated pressure

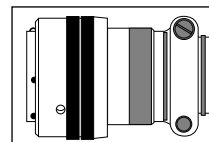
Burst Pressure:

5K to 50K psi: 150% of rated pressure
60K to 200K psi: 120% of rated pressure

Wetted Parts: 5 to 50K: 17-4 PH SS
60K to 200K: 455 Stainless Steel

Pressure Port: 5K to 70K psi:
1/2-14 NPS (use .315 dia. 59° ferrule)
> 70K psi: 1-14 NS-2 (use .910 dia.
150° ferrule)

Electrical Connection: Barrier Strip
inside a Lightning Protected Amplifier
Housing



**Mating
Connector
PT06F-10-6S,
\$26.50**

CUSTOM CONFIGURATIONS:

SERIES	PRESSURE PORT	ELECTRICAL CONNECTION	RANGE (PSI)	UNITS	OUTPUT	OPTIONS
PX91	[1]	[2]	[3]	[4]	[5]	[6]
Ranges $\leq 70,000$ psi N = 1/2-14 NPS use with .315" dia 59° ferrule			5K 10K 15K	S = Sealed Gage mV/V 5Volt 4-20mA	V = mV/V 5T = 0-5Vdc I = 4-20 mA	
Ranges > 70,000 psi P = 1-14 NS-2 use with .910" dia. 150° ferrule			20K 30K 35K 50K 60K 80K 100K			\$845 \$860 \$860 \$1250 \$1580 \$1500
Amplified Models Only		0 = 10 ft (3m) Teflon Cable \$4.50/ft over 10 ft (3m) 1 = PT1H-10-6P Connector or Equal (no charge). Mating Connector (not included) order PT06F-10-6S \$26.50 5 = Lightning Protected Amplifier Housing (no charge)	120K 150K 200K	\$1450 \$1580 \$1580 \$1600 \$1800 \$1800 \$1800 \$1900 \$1900		

To Order a Custom Configuration:

1. Select a Pressure Port
2. Select Electrical Connection
3. Select a Pressure Range
4. Select Pressure Units
5. Select Output
6. Select Agency Approvals

Interchangeable with Model HPT, HPT-V, HPT-VA

Metric Ranges Available - Consult Engineering

To order extra cable on Cable Style models, add suffix "-(length in feet)FT" and **\$4.50/ft** over the standard 10 ft (3m) length.

Ordering Examples: 1.) **PX91P5-100KSI** is a 100,000 psi Sealed Gage Pressure range model with, 4-20 mA output, 1-14 NS-2 fitting and a lightning protected amplifier housing, **\$1500**.

2.) **PX91P1-80KS5T** is an 80,000 psi Sealed Gage Pressure range model with 0 to 5 Vdc output, a 1-14 NS-2 fitting and an integral connector, **\$1500**. Mating Connector (not included) **PT06F-10-6S, \$26.50**.

3.) **PX91N0-50KSV-25FT** is a 50,000 psi Sealed Gage Pressure range model with mV/V output, 1/2-14 NPS fitting and 25ft (7.6m) cable, **\$845+67.50 = \$912.50**

4.) **PX91P0-100KSI** is a 100,000 psi Sealed Gage Pressure range model with 4-20 mA output, 1-14 NS fitting and integral Bendix Connector **\$1500**. Mating Connector (not included) **PT06F-10-6S, \$26.50**.